

# BODAS

## Connectivity Selection Guide

**USH00031**

Edition: 08.2016

Replaces: 02.2015



- ▶ Quickly selecting connectivity requirements for the BODAS product family

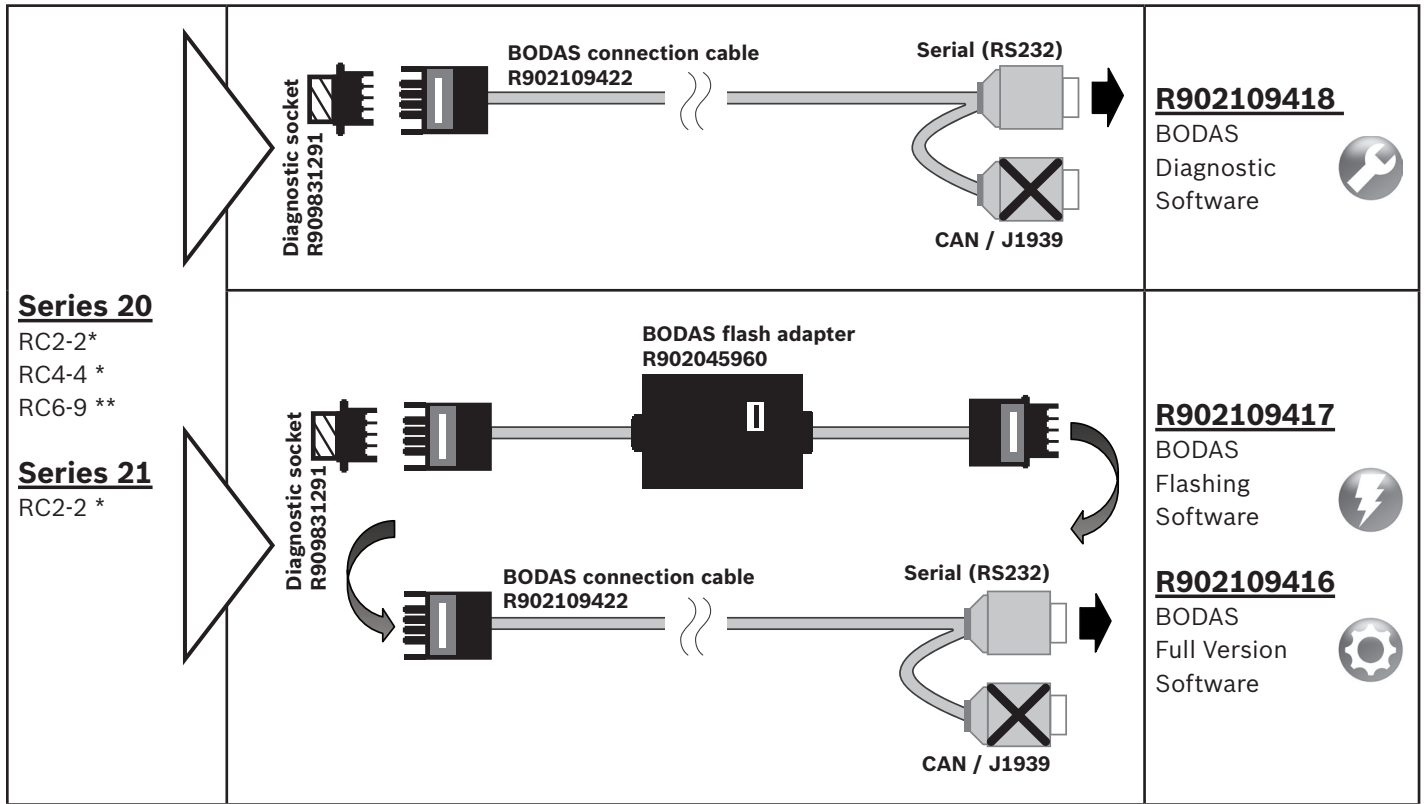
### Features

- ▶ Connector kits used to wire BODAS hardware
- ▶ Interface cables used to connect to various BODAS hardware
- ▶ Software packages used to support various BODAS hardware

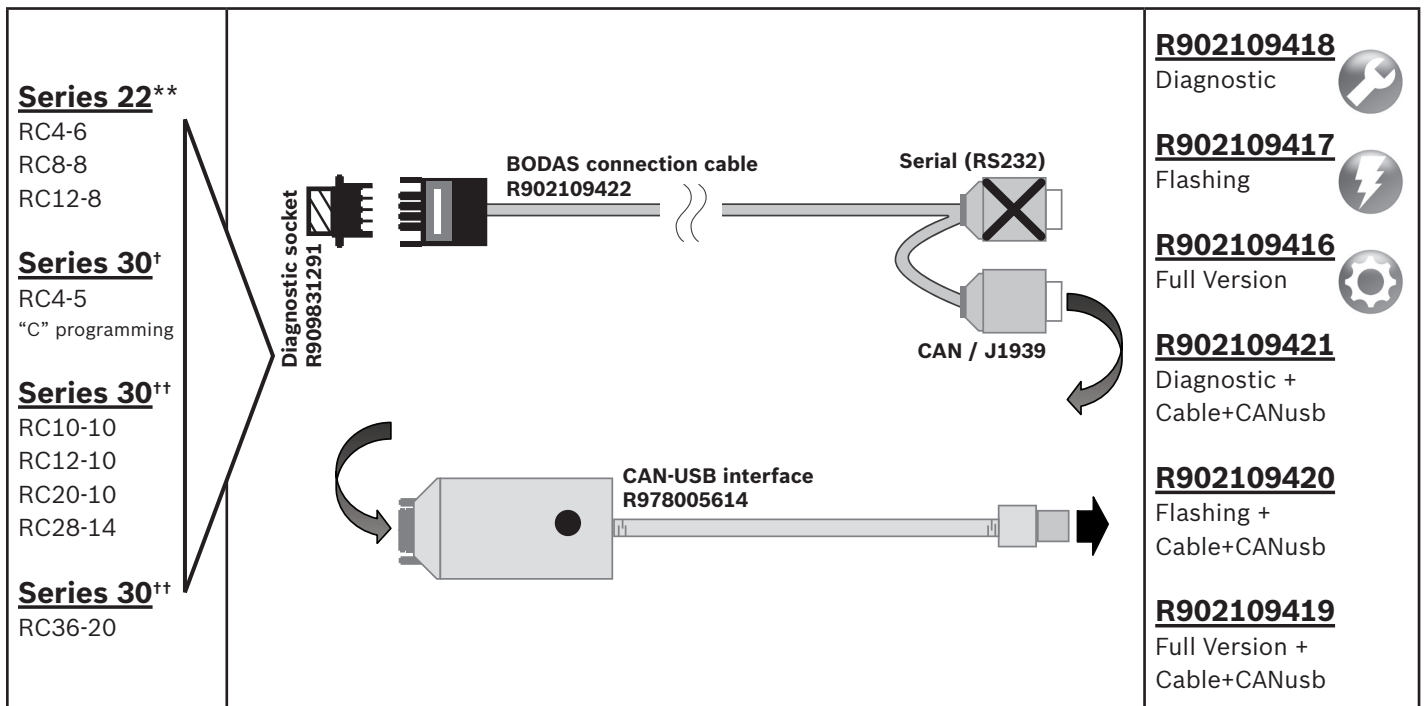
### Overview of contents

Rexroth controller connectivity	2
Rexroth display connectivity	3
Link to BODAS-service FREE download	4

**Rexroth controller connectivity**



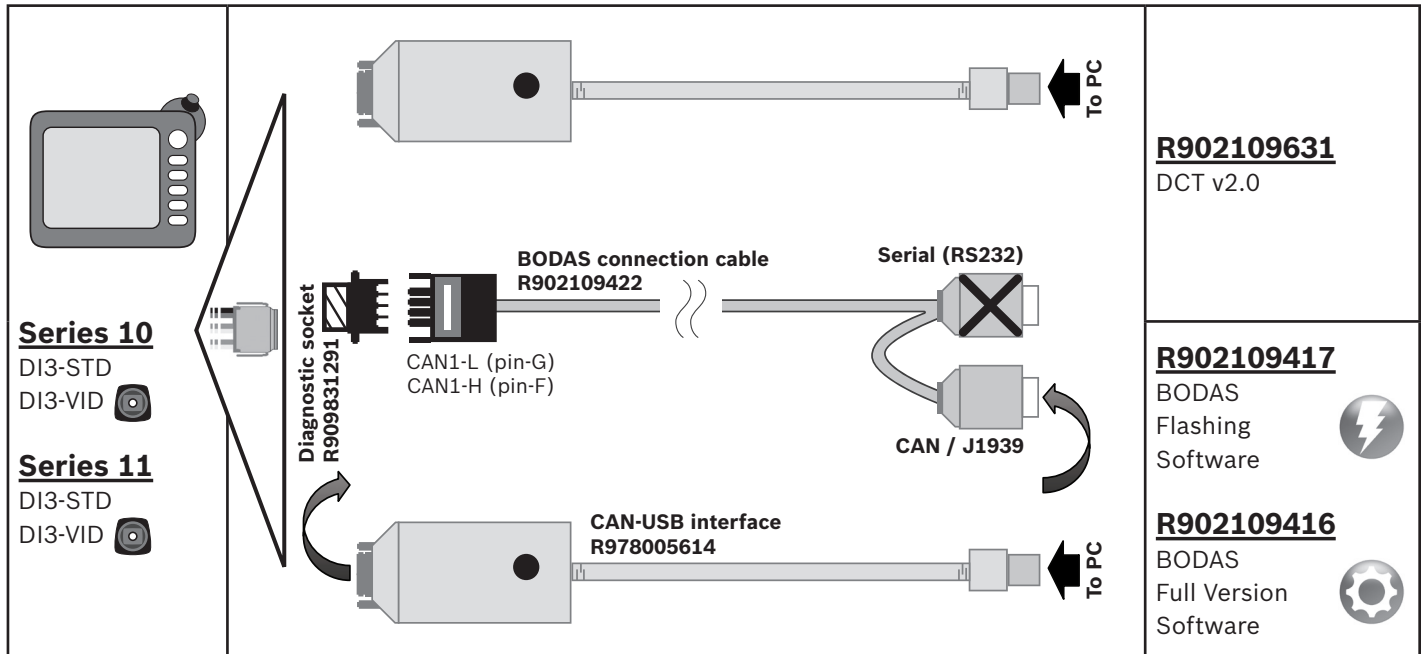
\* R902602414 – 52-pin connector kit  
 \*\* R902602415 – 28-pin connector kit



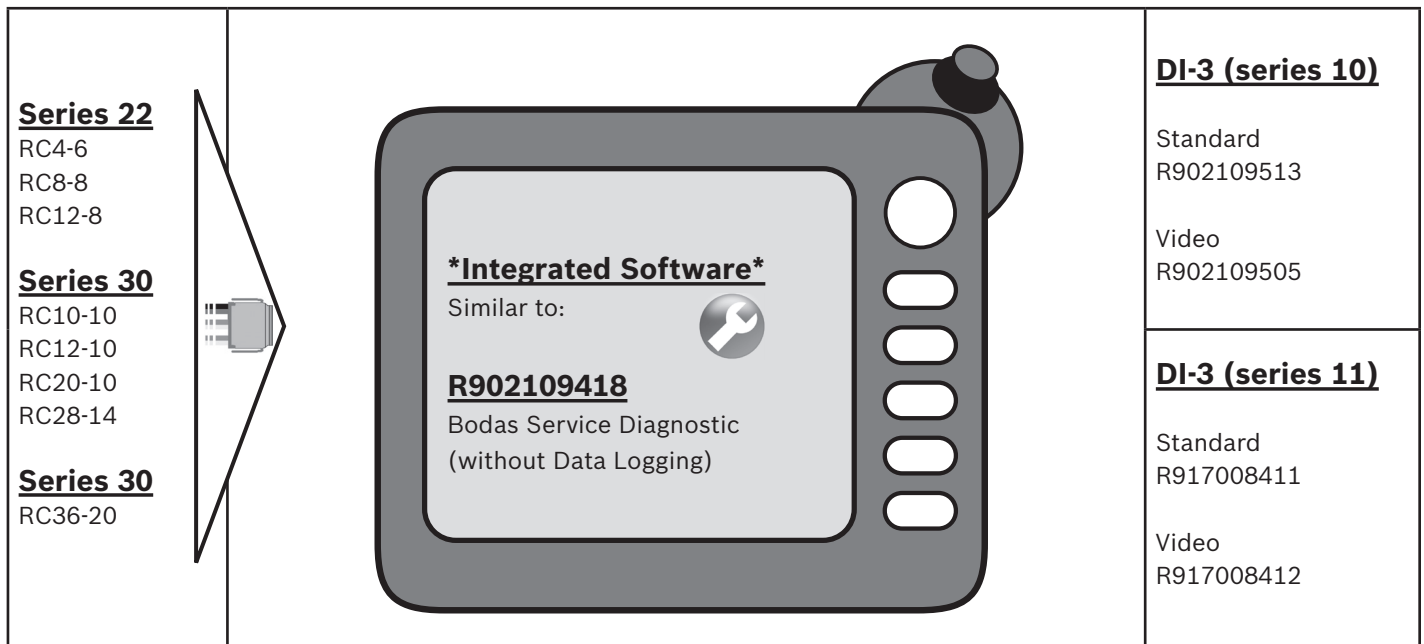
<sup>+</sup> **R978730367 – 56-pin connector** (no contacts, see Interconnection Kits, RA 95475)

<sup>++</sup> **R978730366 – 58-pin, R978730365 96-pin connectors** (no contacts, see Interconnection Kits, RA 95475)

### Rexroth display connectivity



**R902603837 – CAM-PRO/10 Professional Camera**  
**R902603838 – CAM-XXX/10 Mating Connector with Cable**



CAN1-Lo(YEL, pin 5)  
CAN1-Hi(GRN, pin 4)



**R900877038 – DI-3 Mating Connector, Plug & Contacts**  
**R978730445 – DI-3 Pre-wired Mating Connector, Assembled**

## Link to BODAS-service FREE download

<http://www.boschrexroth.com/mobile-hydraulics-catalog/Vornavigation/Vornavi.cfm?Language=EN&PageID=m4514>

### **Bosch Rexroth Corp.**

Hydraulics  
8 Southchase Court  
Fountain Inn, SC 29644-9018  
U.S.A.  
Telephone (864) 967-2777  
Facsimile (864) 967-8900  
[www.boschrexroth-us.com](http://www.boschrexroth-us.com)

© All rights reserved Bosch Rexroth Corp. This document, as well as the data, specifications and other information set forth in it, are the exclusive property of Bosch Rexroth Corp. It may not be reproduced or given to third parties with its consent.

The data specified above only serve to describe the product. No statements concerning a certain condition or suitability for a certain application can be derived from our information. The information given does not release the user from the obligation of own judgment and verification. It must be remembered that our products are subject to a natural process of wear and aging.